

SUPPLY SHEET

DO-L1112A
1/3" 1.3M(CMOS)

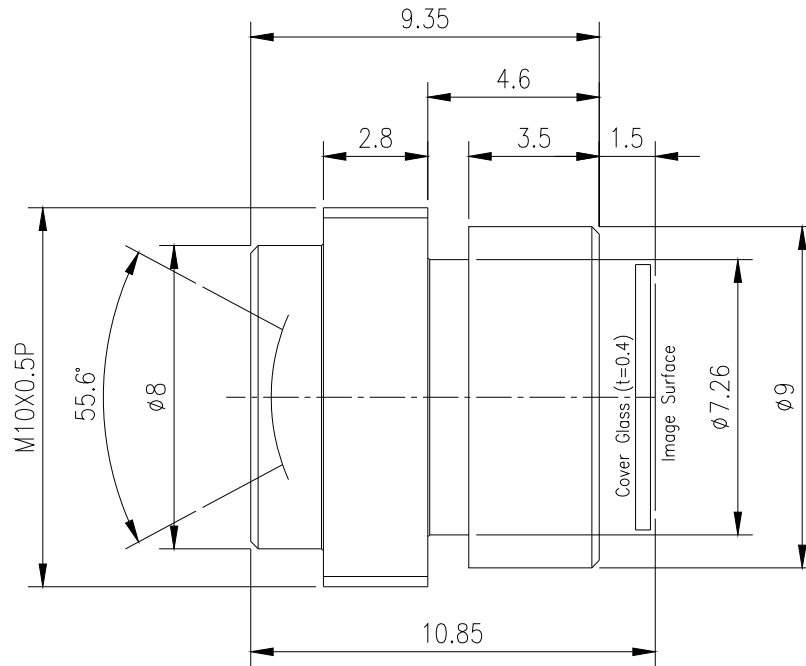
CUSTOMER	APPROVED		
SUPPLIER	Charge	Judgment	Approved

Date : 2011. 07. 21



RM 204, Sicox Tower, 513-14, Sangdaewon-dong, Jungwon-Gu, Seongnam-City, Kyonggi-Do, 462-120, Korea

TEL : 82-31-777-9861 FAX : 82-31-777-9864 <http://www.digitaloptics.co.kr/>



Lens Specifications

USE : 1/3" Automotive Lens (Lane Departure Warning System)

Focal Length	5.94mm	
Relative Aperture (F/#)	2.0	
Sensor Image Size	$\phi 6.0$ mm	
Field Of View	55.6°(D), 45.2°(H), 34.3°(V)	
MTF (Design Value)	Center	66.2% (at 85 lp/mm)
	0.7 Field	58.1%(R), 75.4%(T) (at 55 lp/mm)
Total Track Length	10.85mm (from Barrel top to image surface) (C/G t=0.4mm)	
Back Focal Length	2.49mm (C/G t=0.4mm)	
TV Distortion	$\leq -1.2\%$	
Chief Ray Angle(Max)	17.0° (at 1.0 Field)	
Relative Illumination	62.0%	
Construction	5 Glass	
Coating	AR Coating	
Lens Barrel	M10X0.5P	