

SUPPLY SHEET

DO-W0912B

1/4" VGA (CMOS)

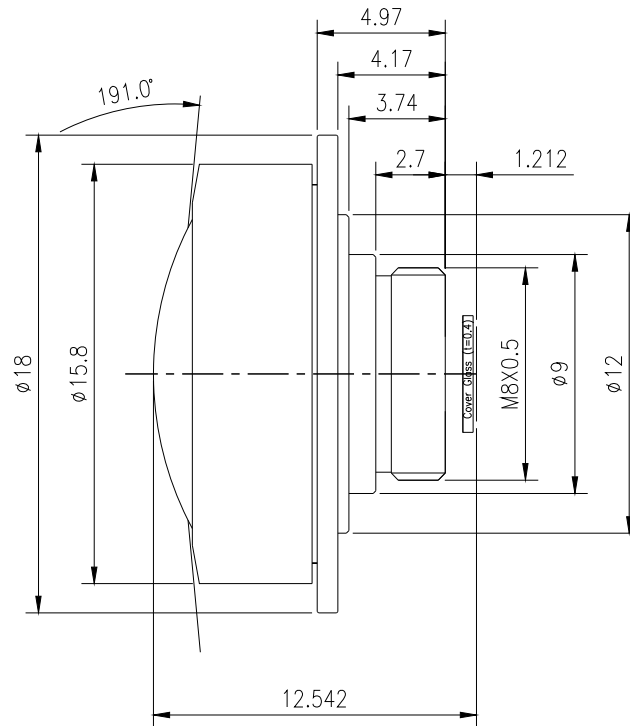
CUSTOMER	APPROVED		
SUPPLIER	Charge	Judgment	Approved

Date : 2010. 09. 01.

 **Digital Optics Co., Ltd.**

RM 204, Sicox Tower, 513-14, Sangdaewon-dong, Jungwon-Gu, Seongnam-City, Kyonggi-Do, 462-120, Korea

TEL : 82-31-777-9861 FAX : 82-31-777-9864 <http://www.digitaloptics.co.kr/>



Lens Specifications

USE : 1/4" VGA Automotive Lens

Projection Method	Stereographic projection	
Focal Length	0.815mm	
Relative Aperture (F/#)	2.4	
Sensor Image Size	Ø4.48mm (Image Circle : Ø3.584mm, Max Image Circle : Ø3.71mm)	
Field Of View	191.0°(D), 191.0°(H), 157.7°(V) (y = 1.792mm)	
MTF (Design Value)	Center	79.7% (at 60 lp/mm)
	0.7 Field	73.2%(R), 64.0%(T) (at 45 lp/mm) (y = 1.568mm)
Total Track Length	12.542mm (from lens top to image surface) (IR Filter t=0.4mm, Cover Glass t=0.4mm)	
Back Focal Length	1.992mm (IR Filter t=0.4mm, Cover Glass t=0.4mm)	
Optical Distortion	≤ -121.3%	
Chief Ray Angle(Max)	25.97° (at 1.0 Field)	
Relative Illumination	30.6%	
Construction	3Glass 3Plastic	
Coating	AR Coating	
Lens Barrel	M8X0.5	