

SUPPLY SHEET

DO-W0913B
1/4" VGA (CMOS)

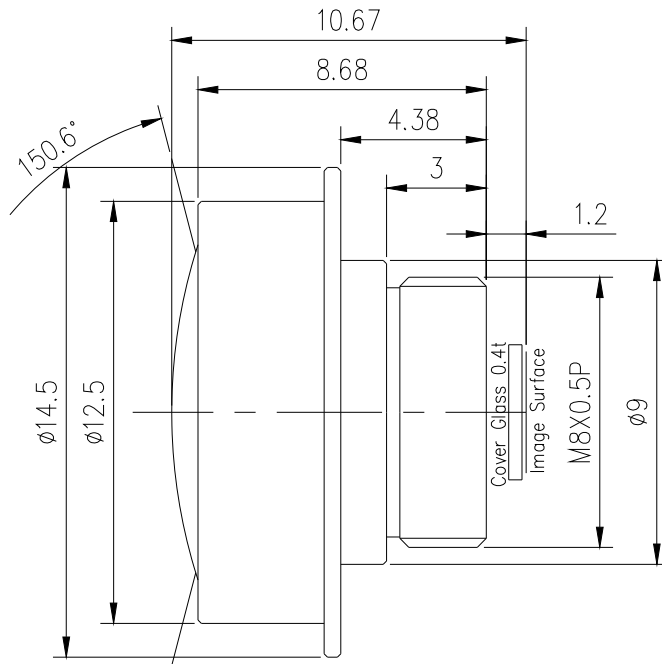
CUSTOMER	APPROVED		
SUPPLIER	Charge	Judgment	Approved

Date : 2011. 07. 08.



RM 204, Sicox Tower, 513-14, Sangdaewon-dong, Jungwon-Gu, Seongnam-City, Kyonggi-Do, 462-120, Korea

TEL : 82-31-777-9861 FAX : 82-31-777-9864 <http://www.digitaloptics.co.kr/>



Lens Specifications

USE : 1/4" VGA Automotive Lens

Focal Length	1.06mm	
Relative Aperture (F/#)	2.6	
Sensor Image Size	Ø4.48mm (Image Circle : Ø3.55mm, Max Image Circle : Ø3.8mm)	
Field Of View	150.6°(D), 150.6°(H), 122.6°(V) (y = 1.792mm)	
MTF (Design Value)	Center	59.5% (at 60 lp/mm)
	0.7 Field	66.2%(R), 59.3%(T) (at 45 lp/mm) (y = 1.568mm)
Total Track Length	10.674mm (from lens top to image surface) (IR Filter t=0.4mm, Cover Glass t=0.4mm)	
Back Focal Length	2.454mm (IR Filter t=0.4mm, Cover Glass t=0.4mm)	
Optical Distortion	≤ -55.82%	
Chief Ray Angle(Max)	22.53° (at y = 1.792mm)	
Relative Illumination	50.1% (at y = 1.792mm)	
Construction	1Glass 3Plastic	
Coating	AR Coating	
Lens Barrel	M8X0.5P	